

# Air Filter (SAF)

## SAF100~600 Series



### How to order

**SAF 4 00 - 04 BD - MeP**

① Air Filter

② Body Size  
 1 - 1/8  
 2 - 1/4  
 3 - 3/8  
 4 - 1/2, 3/4  
 6 - 1

③ Thread type  
 Nil - Rc(PT)  
 N - NPT  
 G - G(PF)

④ Port Size

Symbol	Size	Body size				
		1	2	3	4	6
M5	M5	●				
01	1/8	●				
02	1/4		●			
03	3/8			●		
04	1/2				●	
06	3/4				●	●
10	1					●

⑤ Accessory(Optional)

Nil - None Bracket / Manual Drain  
 B - Bracket  
 Note) SAF100 is no bracket options.  
 D - Auto Drain

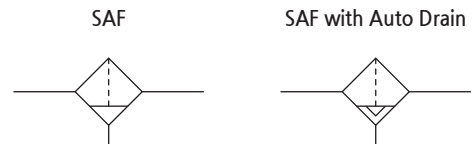
Symbol	Description	Body				
		1	2	3	4	6
D	One-touch fitting type	●	●	●	●	●
Dn	Nipple(PT1/8) type	-	-	●	●	●
Df	SAF200 Float type	-	●	-	-	-

⑥ Bowl

Nil - PC bowl  
 MeP - Metal bowl with pipe type sight glass

주) 1. SAF100 and SAF200 are differential pressure type.  
 2. SAF300~600 are float type.

### Symbol



### Specification

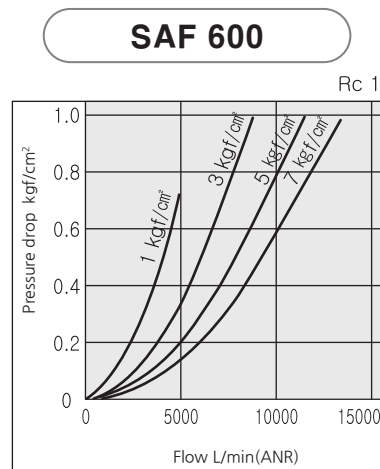
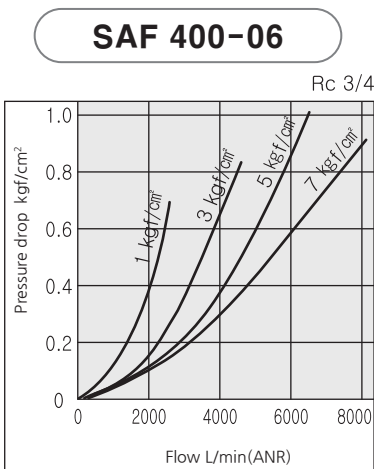
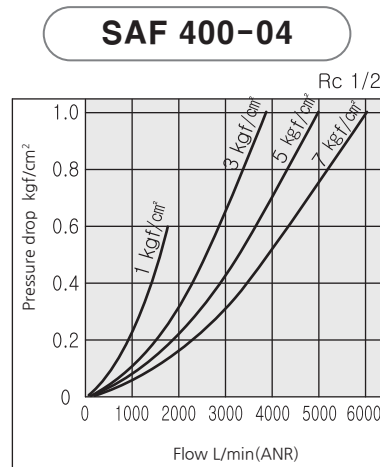
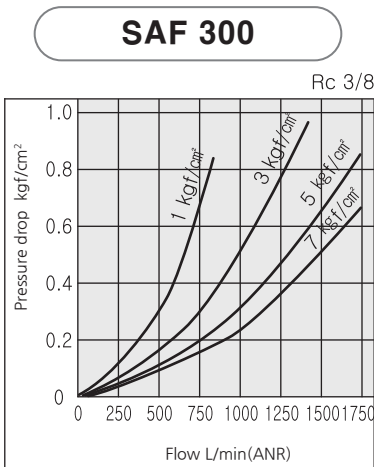
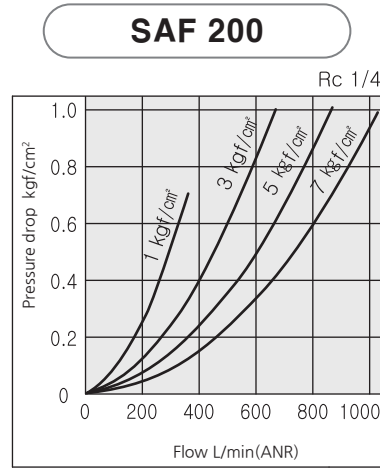
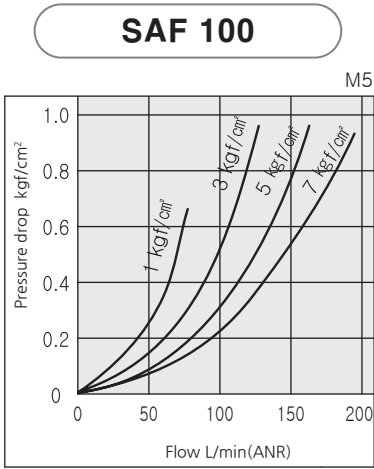
Fluid	Compressed Air
Max. operating pressure	10bar (1.0MPa)
Max. supply pressure	15bar (1.5MPa)
Ambient and Media temp.	-5~60°C (No freezing)
Filtration	10µm (option: 2, 5, 20, 40)
Bowl material	Poly-carbonate (option: ALDC)

### Precautions

- Do not use Poly-carbonate bowls in an environment where they are exposed to or come in contact with organic solvents, chemicals, cutting oil, synthetic oil, alkali, and thread lock solutions.
- Components with a bowl must be installed vertically with the bowl downward so that faulty drain discharge and dripping can be verified.
- When auto drain is used, drain piping should be both 4mm or greater in diameter and less than 1m in length. Avoid installing drain piping upwards.
- When auto drain is used it is recommended to use at least 1.5bar pressure.
- When auto drain is inoperable, drain manually by pushing the one-touch fitting upward.
- Before disassembling the equipment on the compressed air side to inspect the auto drain or to replace the filter element, confirm that the pressure is set to zero.

## ■ FLOW CHARACTERISTICS

Note : Replace the element every 2 years or when the pressure drop becomes 1bar(0.1Mpa), whichever comes first, to prevent damage to the element.



SAU

SAU  
LARGE FLOW

SAU  
HIGH PRESS.

SAW

SAWM  
SAWD

SAF

SAF  
LARGE FLOW

SAFM  
SAFD

SAR

SAR  
LARGE FLOW

SAR  
T-HANDLE

SAR  
HIGH PRESS.

SRP

SAL

SAL  
LARGE FLOW

AUTO-DRAIN  
KITS

SHVS

SPS100

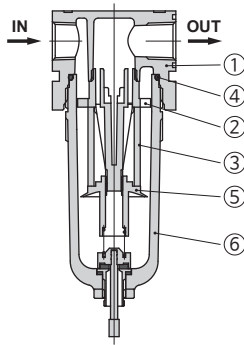
ACCESSORY

CAUTION

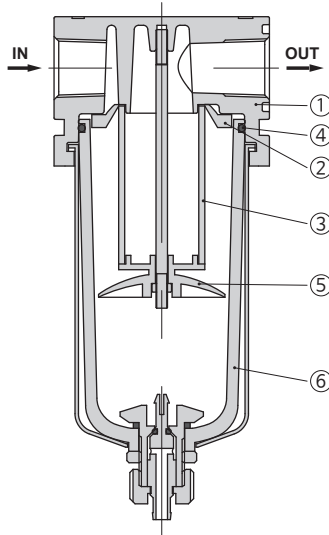
# Series SAF100~600

## ■ STRUCTURE / PARTS

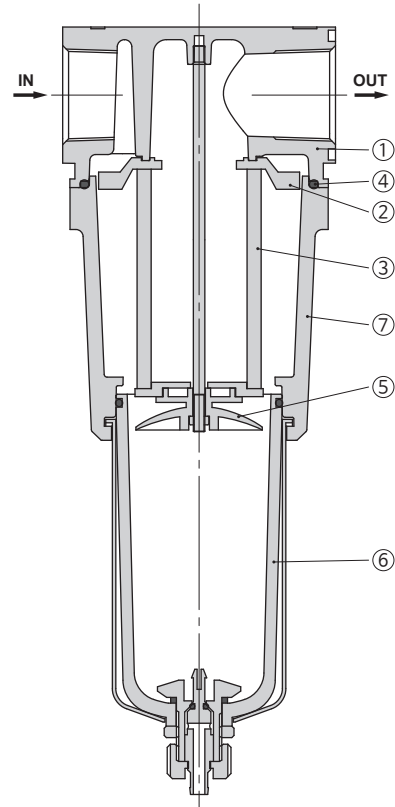
SAF100, SAF200



SAF300, SAF400



SAF600



### ■ Component Parts

No.	PARTS	MATERIAL
①	Body	ALDC
②	Impeller	ABS
⑤	Baffle	ABS
⑥	Bowl Ass'y <sup>1)</sup>	PC
⑦	Housing	ALDC

1) Bowl Ass'y for the SAF300 to SAF600 models comes with a bowl guard (steel band material).

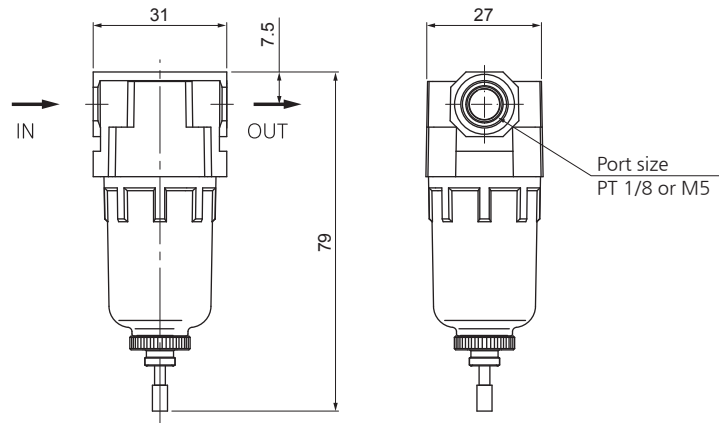
### ■ Replacement Parts

No.	PARTS	MATERIAL	Part no.				
			SAF100	SAF200	SAF300	SAF400	SAF600
③	Element	-	F100-EL	F200-EL	F300-EL	F400-EL	F600-EL
④	O-ring	NBR	S22	U024	38x2	U137	U137

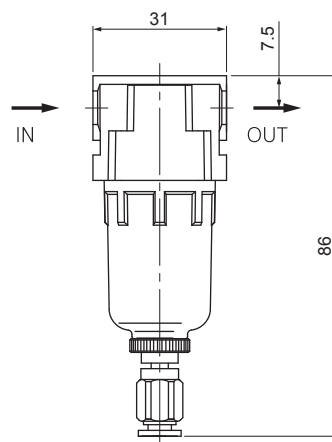
## ■ DIMENSIONS (mm)

### SAF 100

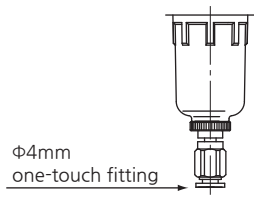
- SAF100-□01(M5)□



- Dimensions of each model with an option attached



with Auto Drain  
(Differential pressure type)

Option	D : Auto Drain (Differential pressure type)
Model	

SAU

SAU  
LARGE FLOWSAU  
HIGH PRESS.

SAW

SAWM  
SAWD

SAF

SAF  
LARGE FLOWSAFM  
SAFD

SAR

SAR  
LARGE FLOWSAR  
T-HANDLESAR  
HIGH PRESS.

SRP

SAL

SAL  
LARGE FLOWAUTO-DRAIN  
KITS

SHVS

SPS100

ACCESSORY

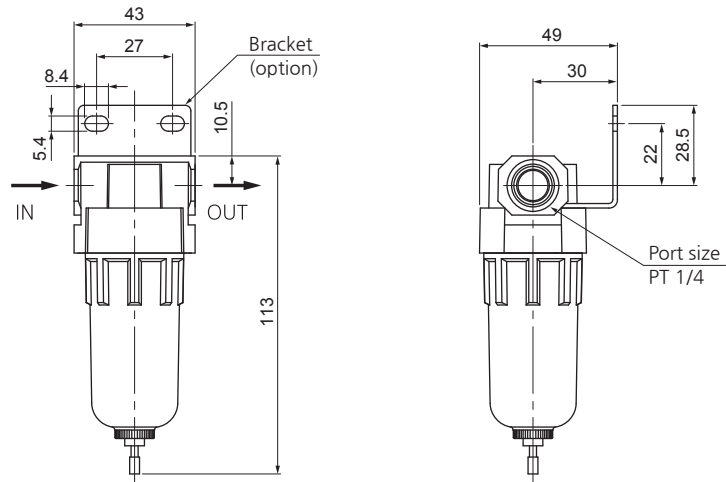
CAUTION

# Series SAF100~600

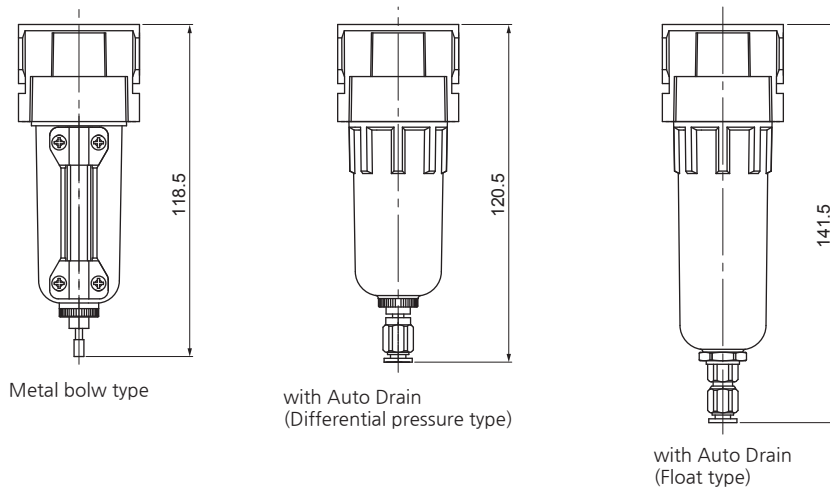
## ■ DIMENSIONS (mm)

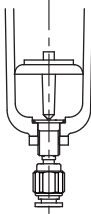
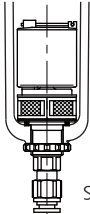
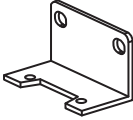
### SAF 200

#### ■ SAF200-□02□□



#### ■ Dimensions of each model with an option attached

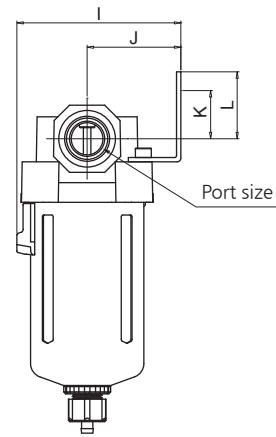
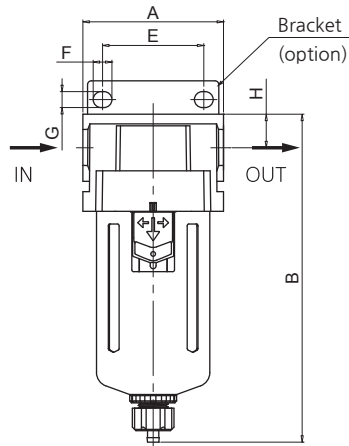


Option	Auto Drain		B : Bracket
	D : Differential pressure type	Df : Float type	
Model		 SAD200	 B200

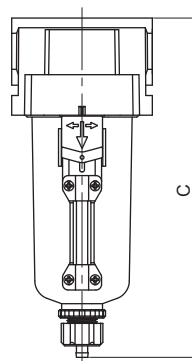
## ■ DIMENSIONS (mm)

### SAF 300~400

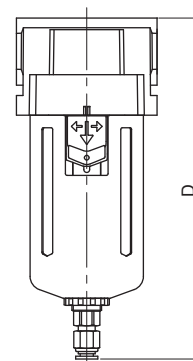
- SAF300-□03□□
- SAF400-□04(06)□□



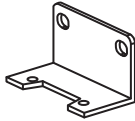
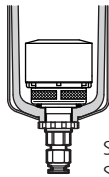
### ■ Dimensions of each model with an option attached



Metal bowl type



with Auto drain

Option	B : Bracket	D : Auto Drain
Model	 <p>SAF300 : B300 SAF400 : B400</p>	 <p>SAF300 : SAD300 SAF400 : SAD400</p>

Model	Port size	A	B	C	D	E	F	G	H	I	J	K	L
SAF300-03	3/8	57	143	161	149	40	7.9	6.3	14	65	36.5	14	21
SAF400-04	1/2	75	174	179	181	54	10	8.5	17.9	85	50	25.7	35.7
SAF400-06	3/4	75	178	183	185	54	10	8.5	19.8	85	50	25.1	35.1

SAU

SAU  
LARGE FLOW

SAU  
HIGH PRESS.

SAW

SAWM  
SAWD

SAF

SAF  
LARGE FLOW

SAFM  
SAFD

SAR

SAR  
LARGE FLOW

SAR  
T-HANDLE

SAR  
HIGH PRESS.

SRP

SAL

SAL  
LARGE FLOW

AUTO-DRAIN  
KITS

SHVS

SPS100

ACCESSORY

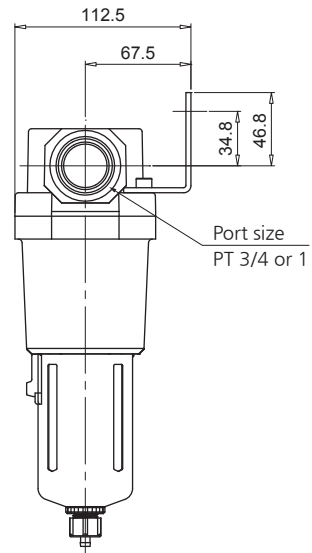
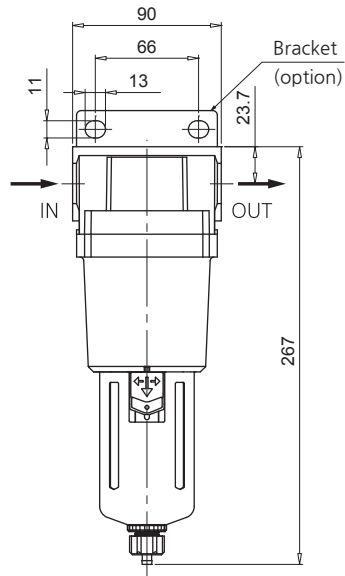
CAUTION

# Series SAF100~600

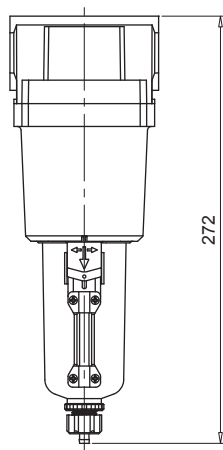
## ■ DIMENSIONS (mm)

### SAF 600

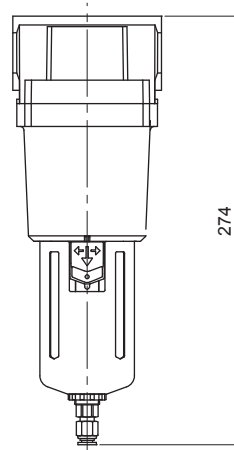
- SAF600-□06□□
- SAF600-□10□□



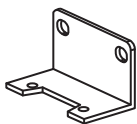
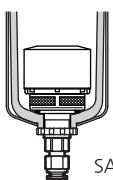
- Dimensions of each model with an option attached



Metal bolw type



with Auto drain

Option	B : Bracket	D : Auto Drain
Model	 <p>B600</p>	 <p>SAD400</p>